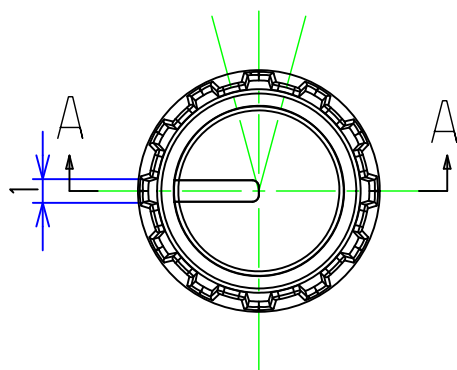




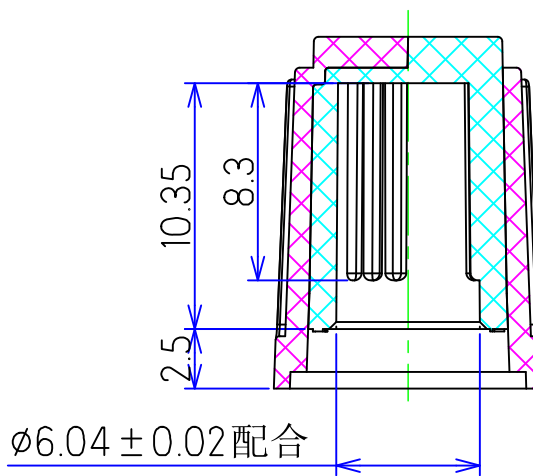
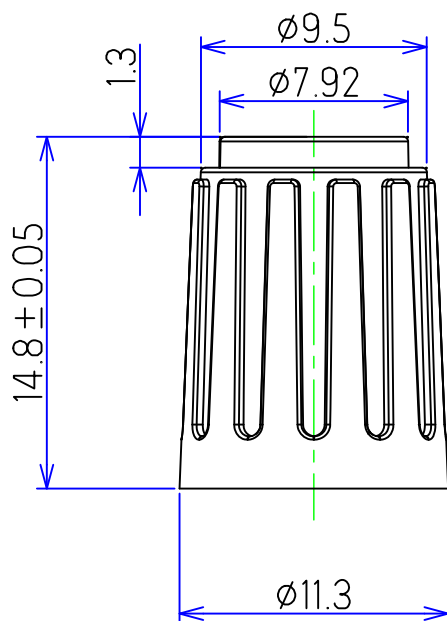
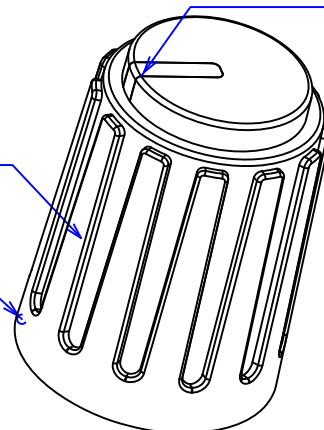
⊙	0.02
≡	0.02

指针白色

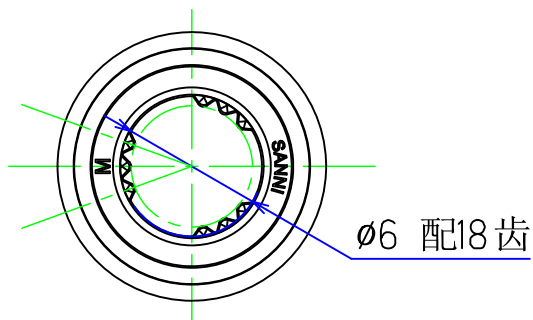


表面处理:
VDI 20

旋钮黑色



A - A



∅6 配18齿

检验时要检齿的位置和方向

技术要求:

1: 无缺料、刮伤、披锋不良;

Material No. ABS#+#				Dispose: 表面纹路: VDI 20		S:	D:	V:	M:
△				TOL UNLESS OTHERWISE STATED		DESIGNED	CHECKED		
△				BASIC DIMENSION	TOLERANCE				
△				Less than 1.00	±0.01				
△				1.00-less than 10.0	±0.03				
△				10.0-less than 50.0	±0.05	DRAWING No.	RD-BD-XN-018		
SYMB	REVISION	DATE	APPROVED	ANGLE	±1°	UNIT mm	Edition A1.0		
						SCALE 1:1	2023/09/13	Model No.	XN-402-TB
								Document No.	XN-402 旋钮