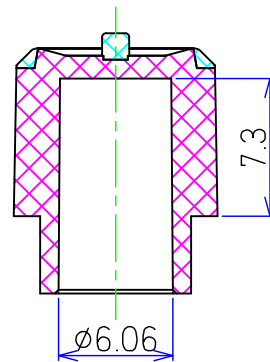
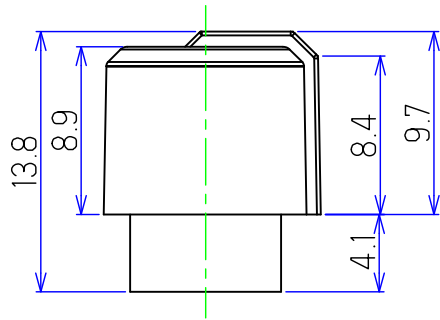
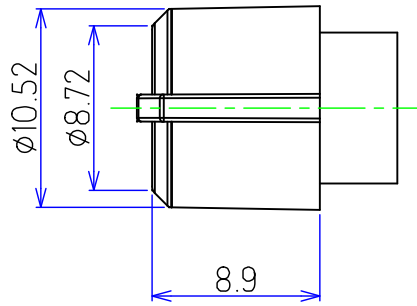
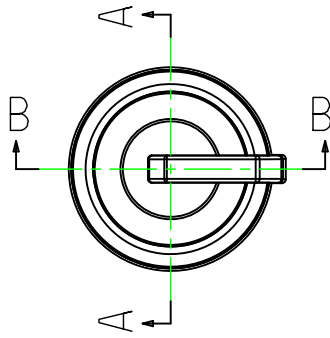
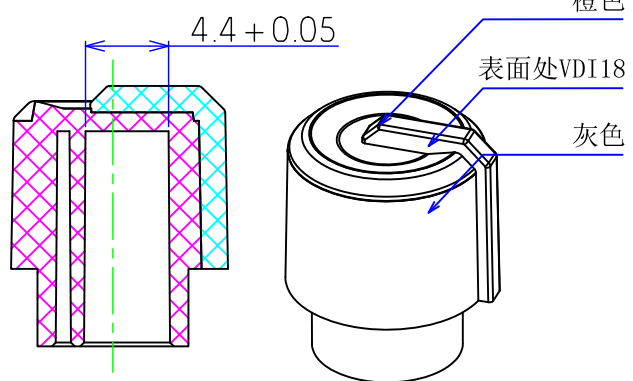
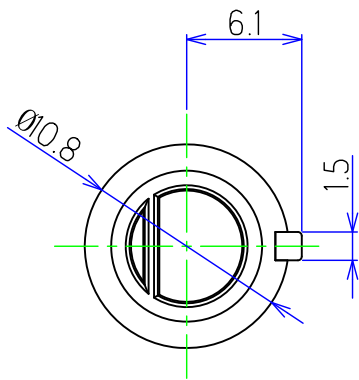




⊙	0.02
≡	0.02



SECTION A - A



SECTION B - B

技术要求:

1: 无缺料、刮伤、披锋不良;

Material No. ABS#+#				Dispose: 表面纹路: VDI 18		S:	D:	V:	M:
△				TOL UNLESS OTHERWISE STATED		DESIGNED	CHECKED	<b>SANNI</b> ELECTRONIC TECHNOLOGY	
△				BASIC DIMENSION	TOLERANCE				
△				Less than 1.00	±0.01			Model No.	XN-405-FL
△				1.00-less than 10.0	±0.03	DRAWING No.		Document No.	XN-405 旋钮
△				10.0-less than 50.0	±0.05	UNIT mm	Edition A1.1		
SYMB	REVISION	DATE	APPROVED	ANGLE	±1°	SCALE 1:1	DRW D 2023/08/17		