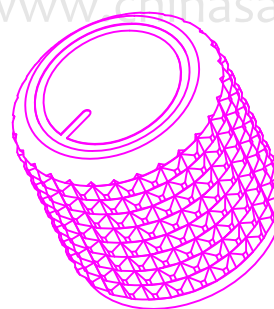
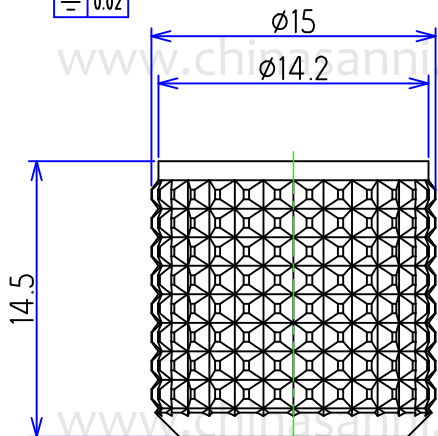
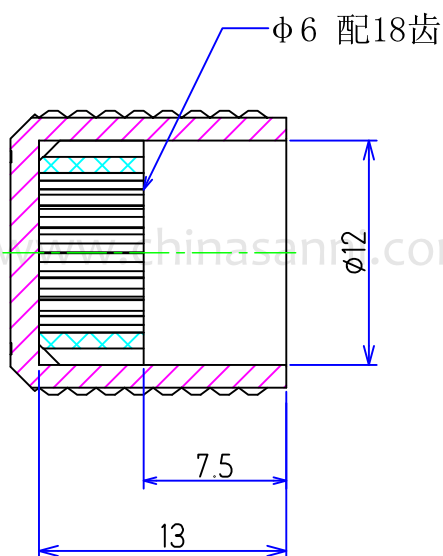
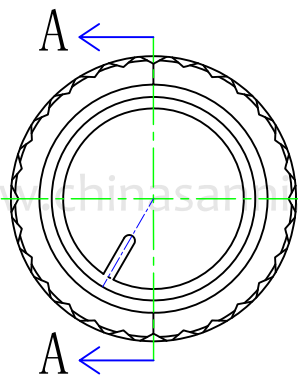




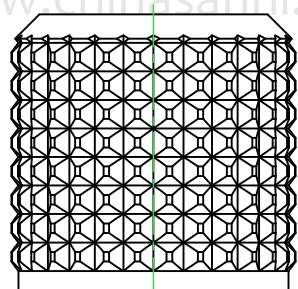
⊙	0.02
≡	0.02



3D图



A-A剖视图



技术要求:

- 1: 表面无划伤、缺料、色差等不良;
- 2: 表面阳极氧化亮黑色+雕刻+高光;

Material No.				Dispose:		S:	D:	V:	M:
△				TOL UNLESS OTHERWISE STATED		DESIGNED	CHECKED	SANNI ELECTRONIC TECHNOLOGY	
△				BASIC DIMENSION	TOLERANCE				
△				Less than 1.00	±0.1			Model No.	XN-212-KQ
△				1.00-less than 10.0	±0.15	DRAWING No.	RD-BD-XN-020	Document No.	XN-212 旋钮
△				10.0-less than 50.0	±0.5	UNIT mm	Edition A1.0		
SYMB	REVISION	DATE	APPROVED	ANGLE	±5°	SCALE 3:1	2022-06/16		